

Distribution tube assembly  
Robert E. Collins et al.  
Lindsay 51

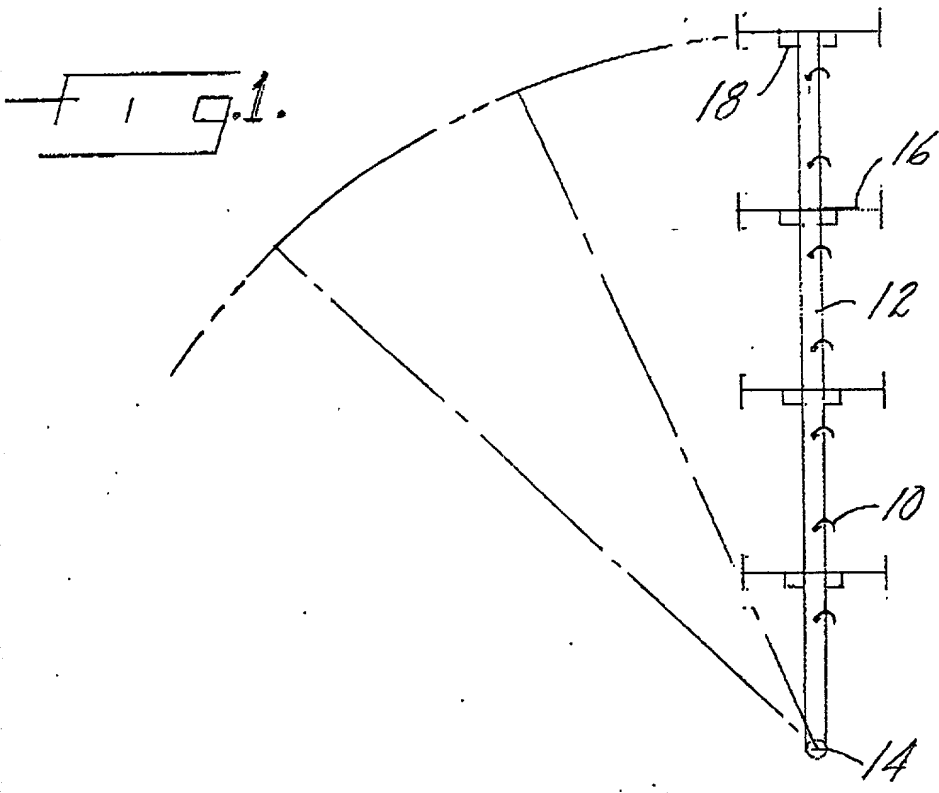


Fig. 10.

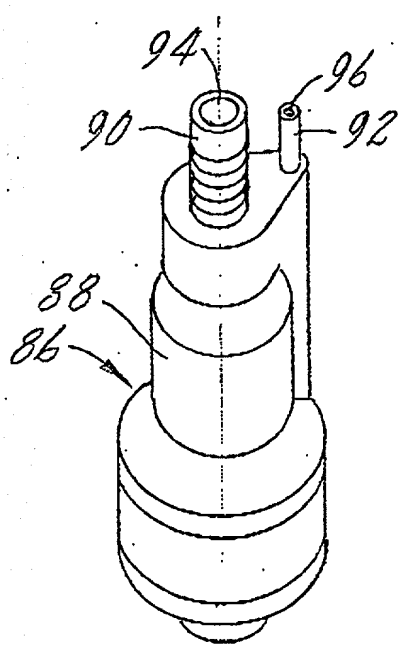


Fig. 9.

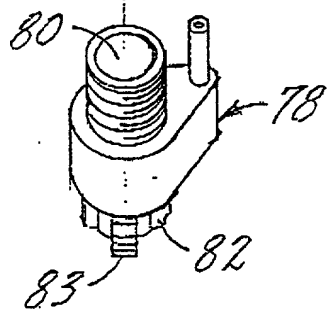
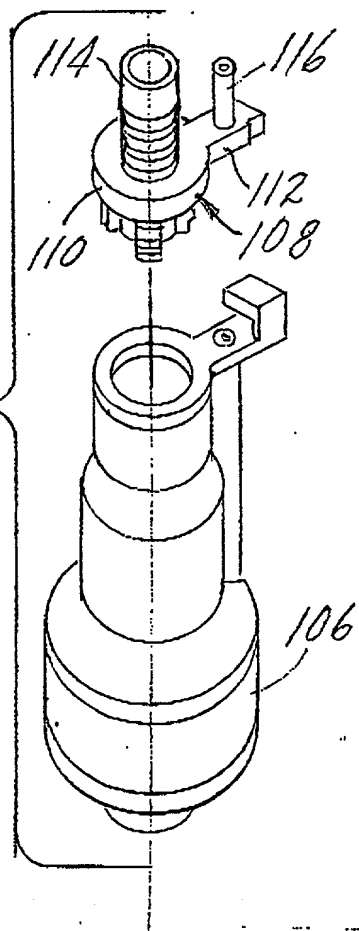


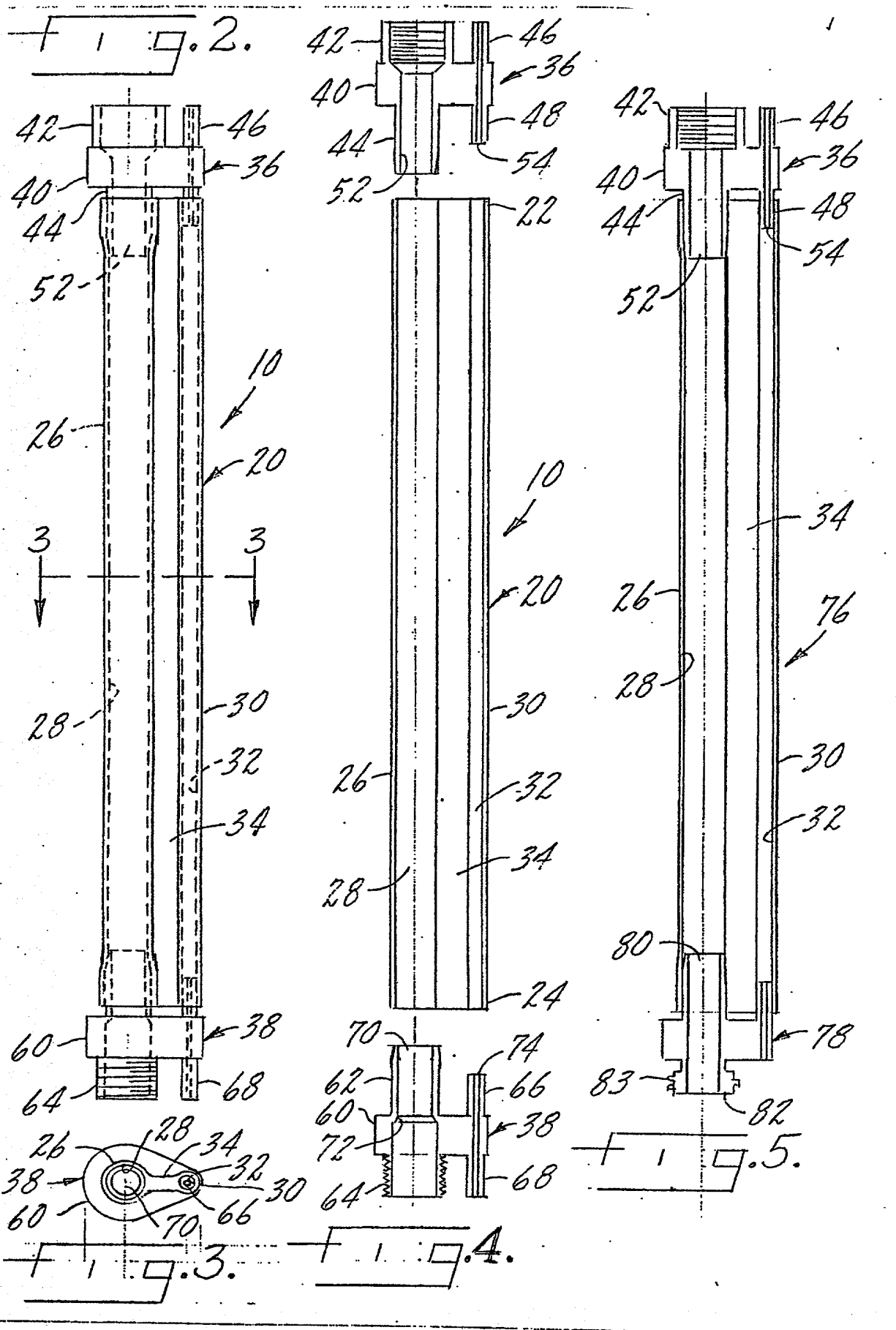
Fig. 11.



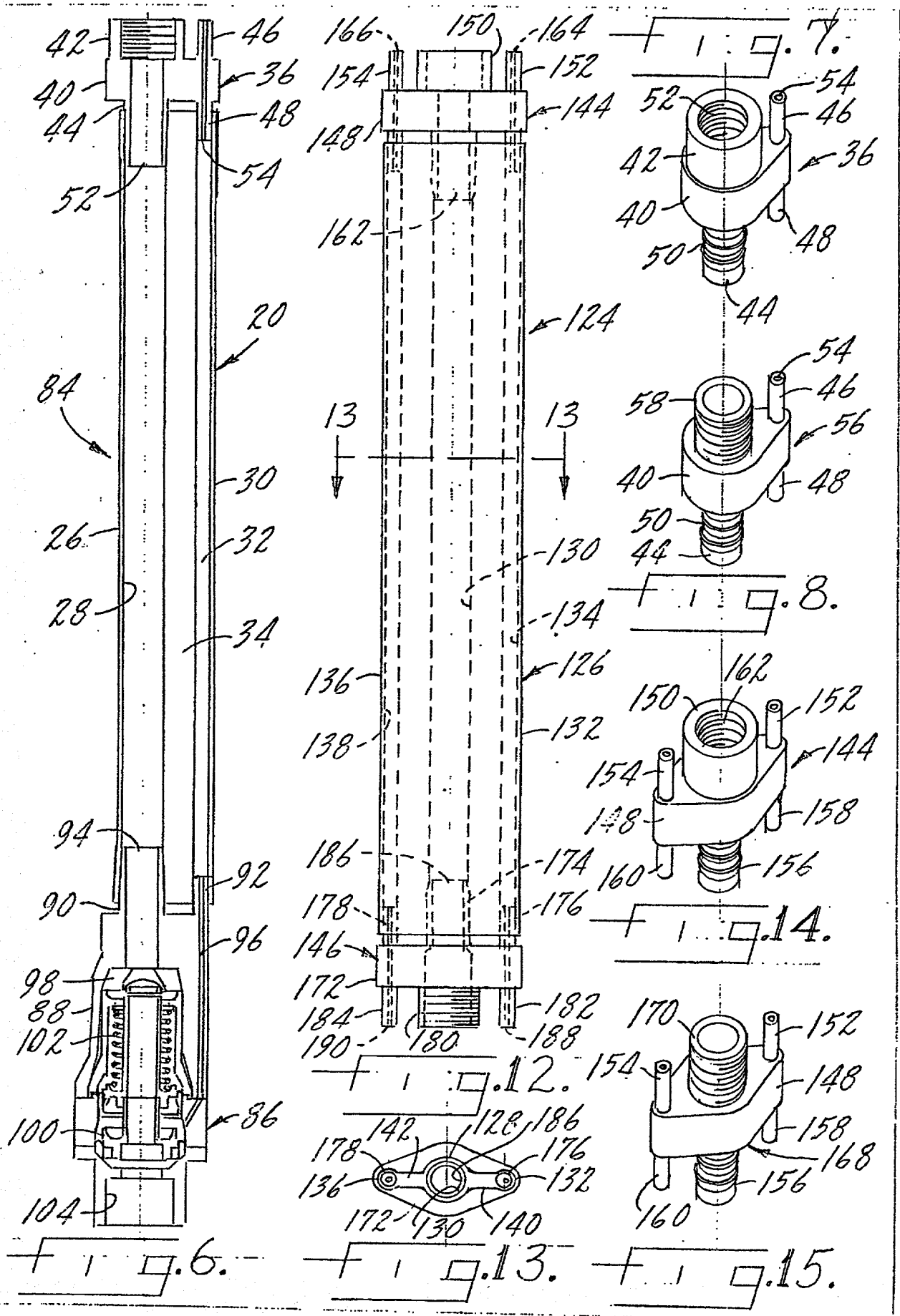
FOR 950" 409222869

Distribution tube assembly...  
Robert E. Collins et al.  
Lindsay 51

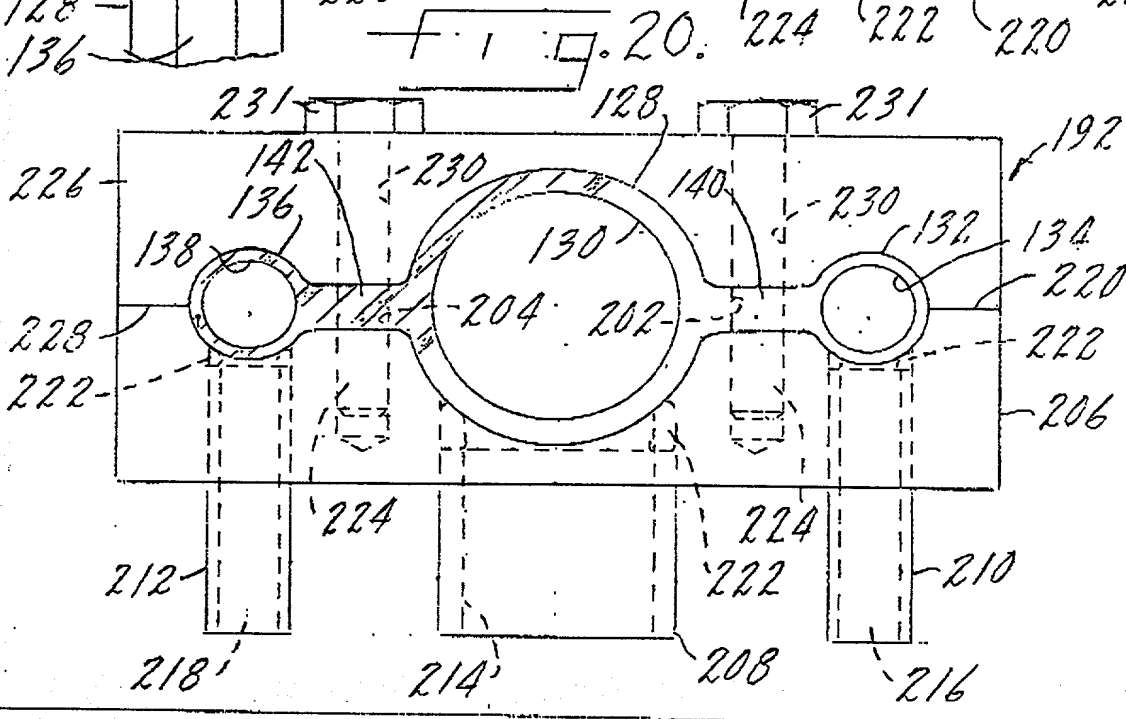
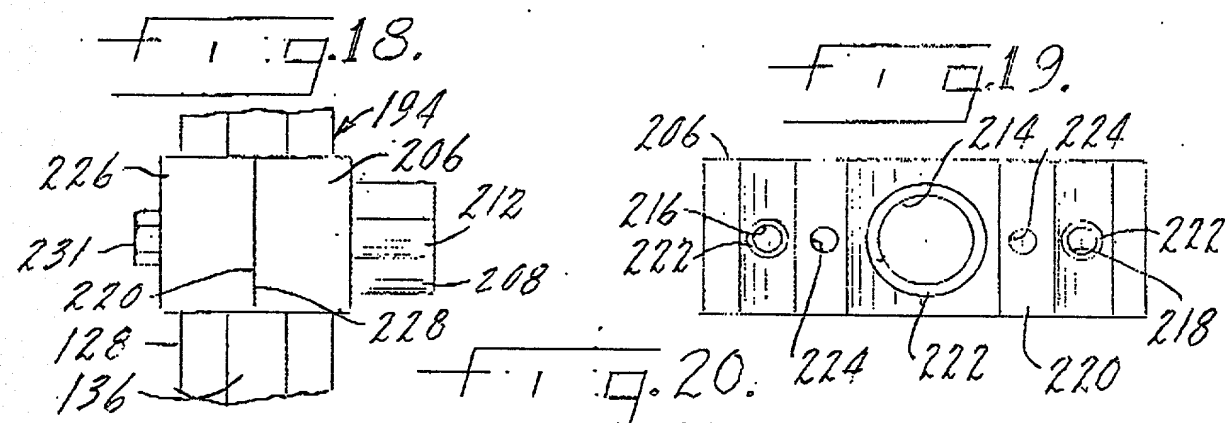
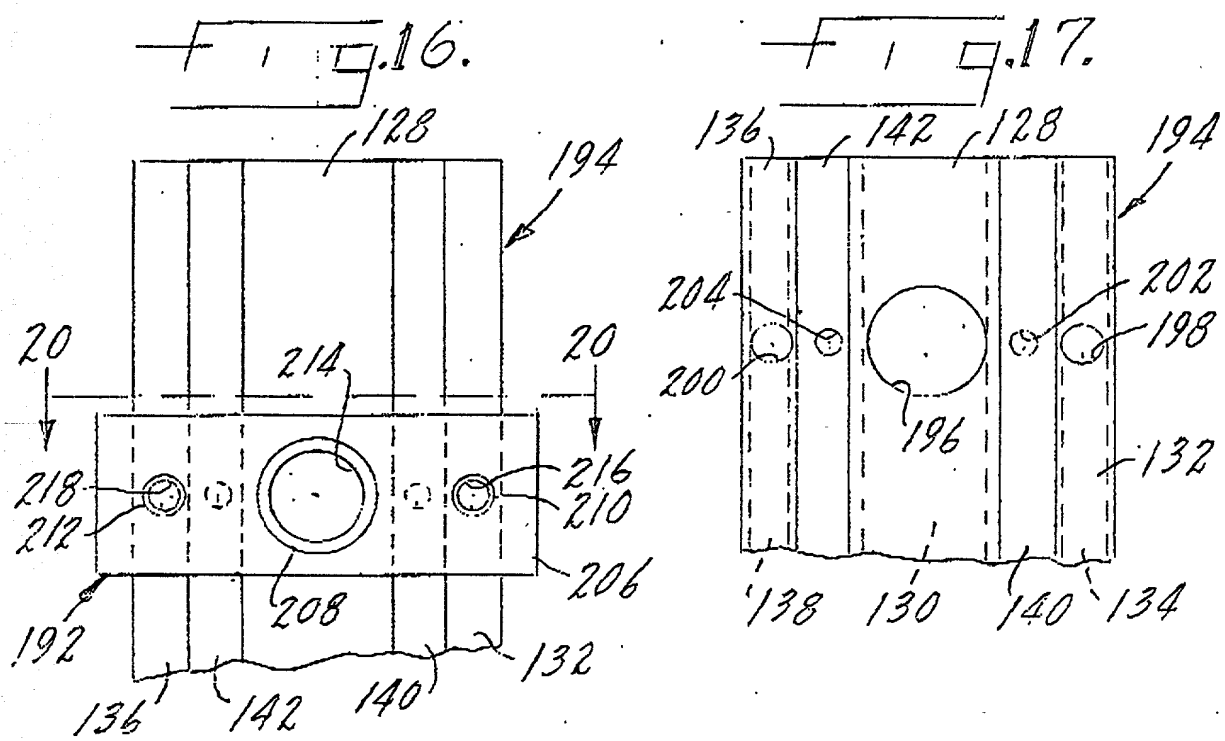
40922860



FOR 40924860



Distribution Tube Assembly ...  
Robert E. Callies et al  
Lindsay 51



09872504-050101